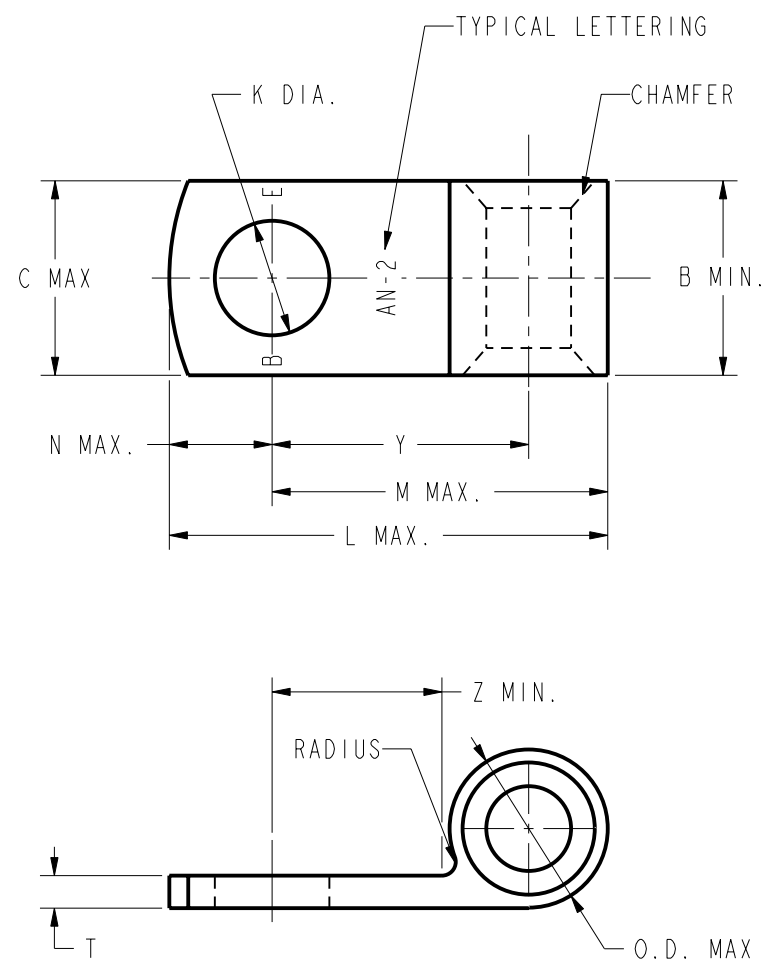


DRAWING NO.
SD030739-01

D
C
B
A



3

2

1

REV	DATE	DESCRIPTION	ECO	BY	C'H'K.
A	11/14/2011 00:45:00 AM	DRAWING RE-DRAW PROCESS NO CHANGE TO DRAWING INFO.	26150	BR	NJS

COPPER AIRCRAFT CABLE MIL-W-5086 SIZE	STUD SIZE	CATALOG NUMBER	O.D. MAX.	B MIN.	C MAX	K MIN./MAX.	L MAX.	N MAX.	T APPROX.	Y APPROX.	Z MIN	M MAX.	TOLL INDEX NO.
#8	8-10	YBM8C	.320	.41	.47	.193/.203	1.01	.265	.09	.59	.328	.79	54
	1/4	YBM8C-T2		.47	.53	.262/.282	1.07	.291		.62	.360	.82	
	5/16	YBM8C-T3		.53	.59	.321/.341	1.13	.328		.65	.391	.85	
	3/8	YBM8C-T4		.59	.66	.388/.408	1.19	.359		.68	.422	.88	
#6	8-10	YBM6C-L9	.365	.47	.53	.193/.203	1.09	.265	.09	.64	.360	.87	55
	1/4	YBM6C-L		.47	.53	.262/.282	1.12	.297		.64	.360	.87	
	5/16	YBM6C-L2		.53	.59	.321/.341	1.21	.328		.70	.422	.93	
#4	8-10	YBM4C-L4	.457	.47	.53	.193/.203	1.18	.265	.09	.69	.360	.96	56
	1/4	YBM4C-L		.47	.53	.262/.282	1.21	.297		.69	.360	.96	
	5/16	YBM4C-L1		.53	.59	.321/.341	1.30	.328		.75	.422	1.02	
	3/8	YBM4C-L2		.59	.66	.388/.408	1.33	.359		.75	.422	1.02	
#2	8-10	YBM2C-L1	.532	.47	.53	.193/.203	1.18	.265	.09	.69	.360	.96	57
	1/4	YBM2C-L1		.59	.66	.262/.282	1.28	.297		.73	.360	1.03	
	5/16	YBM2C-L2		.59	.66	.321/.341	1.38	.328		.79	.422	1.10	
	3/8	YBM2C-L		.59	.66	.388/.408	1.35	.359		.79	.422	1.10	
#1	8-10	YBM1C-L1	.582	.47	.53	.193/.203	1.18	.265	.09	.69	.360	.96	572
	1/4	YBM1C-L1		.59	.66	.262/.282	1.40	.297		.81	.422	1.15	
	5/16	YBM1C-L2		.59	.66	.321/.341	1.46	.328		.85	.453	1.18	
	3/8	YBM1C-L		.59	.66	.388/.408	1.53	.359		.88	.485	1.21	
1/0	8-10	YBM1C-L3	.674	.84	.91	.515/.535	1.78	.484	.10	1.00	.610	1.34	58
	4-6	YBM25-L7		.66	.72	.142/.152	1.49	.297		.86	.422	1.24	
	1/4	YBM25-L1		.66	.72	.262/.282	1.49	.297		.86	.422	1.24	
	5/16	YBM25-L2		.66	.72	.321/.341	1.56	.328		.88	.453	1.27	
	3/8	YBM25-L		.66	.72	.388/.408	1.62	.359		.92	.485	1.31	
2/0	1/2	YBM25-L6	.760	.84	.91	.515/.535	1.87	.484	.12	1.05	.610	1.43	598
	3/8	YBM25		.91	.97	.388/.408	1.72	.469		.92	.484	1.31	
	1/4	YBM26-L2		.78	.84	.262/.282	1.66	.328		.94	.453	1.37	
	5/16	YBM26-L1		.78	.84	.321/.341	1.65	.328		.94	.453	1.37	
2/0	3/8	YBM26-L	.760	.78	.84	.388/.408	1.71	.359	.12	.98	.485	1.40	598
	1/2	YBM26-L3		.84	.91	.515/.535	1.96	.484		1.10	.610	1.53	

- NOTES:
- MATERIAL: EXTRUDED COPPER.
 - FINISH: TIN PLATED.

ONE PIECE EXTRUDED HYLUGS COPPER (FLAG TYPE)

ITEM NO: --

CAT. NO: YBM-L & YBM-T

DRAWN BY: BHARATHIRAJA 11/16/11

CHECKER: --

DSN APPVL: E MARTIN 11/15/11

MFG APPVL: --

QA APPVL: --

MKT APPVL: --

SCALE: 3:1

PROD FAM: CM&R COMPRESSION

PROJECT #: --

DOCUMENT TYPE: Sales

REL LEVEL: Released

DRAWING NO: SD030739-01

REV: A

SHEET 1 OF 1

REV: PE0200

4

3

2

1